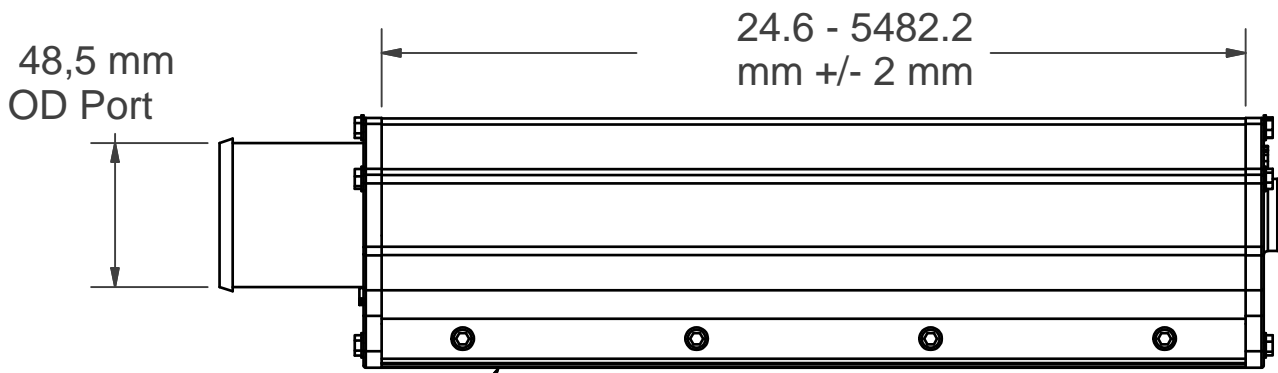
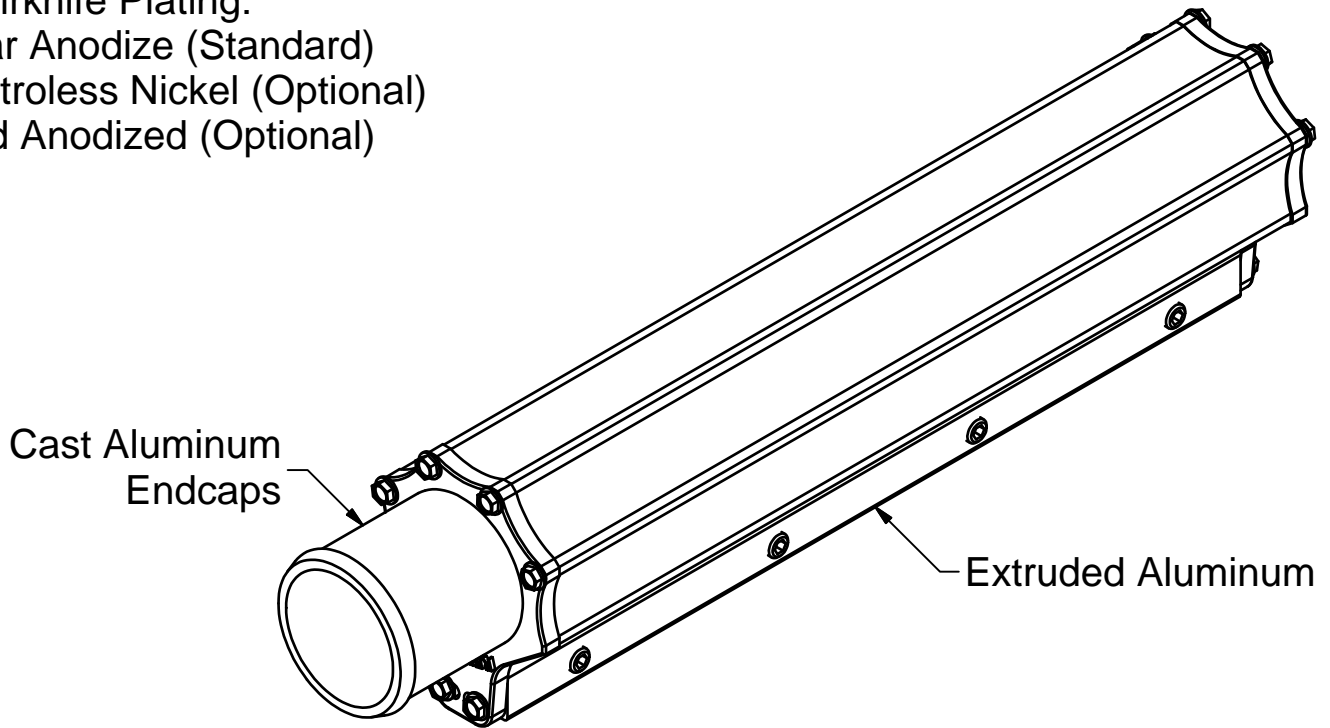




Note Airknife Plating:

1. Clear Anodize (Standard)
2. Electroless Nickel (Optional)
3. Hard Anodized (Optional)



Adjustable Gap:
0.00 - 3.17 mm

